

2" & 3" Swing-Check ESVs for Bulk Plants A6016 Series and A6024 Series



DMC Gas Equipment Limited
 (+852) 2851 2121
 dmcsaleshk@dmc-gas.com.hk
 www.dmc-gas.com.hk

Application

Designed for installation in liquid transfer lines at LP-Gas or Anhydrous Ammonia bulk plants to provide for quick shut-off of liquid or vapor flow in the event of an accidental pull-away, line break, or hose rupture.

Features

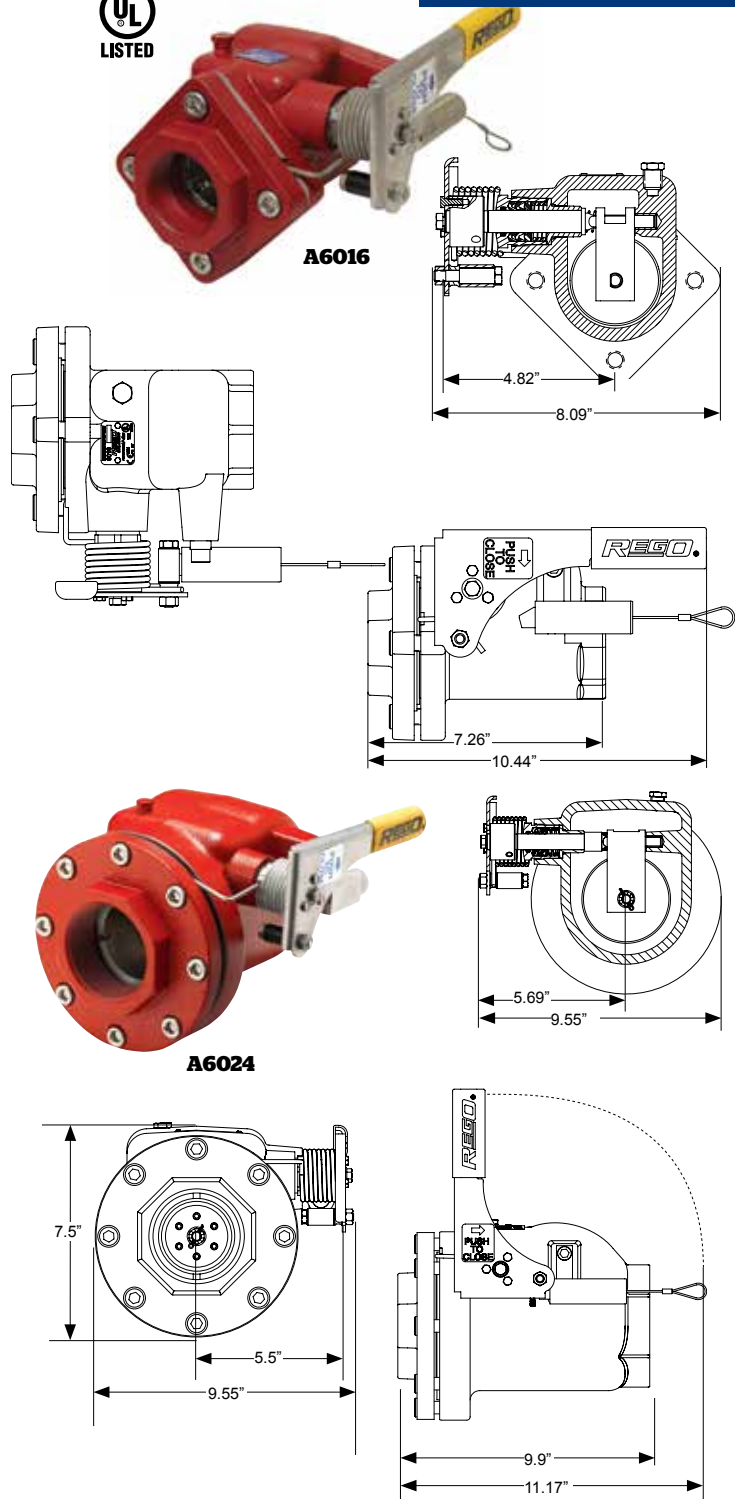
- Fusible Element is located in the thermal fuse assembly which acts at the latch open and close trigger. When exposed to fire, the element melts at 212 degrees F. allowing the shaft to return to the closed position.
- Valve can be opened by use of operating lever, if a pneumatic actuator is used it will open with the actuator.
- Valve can be closed by remote cable or pneumatic actuator.
- Valve can be closed by simply pushing the operating lever down, it is not necessary to trip the close trigger.
- Seat Disc is retained by a metal seat to minimize leakage in case of direct fire impingement.
- Quick closing regardless if the pump is running or not.

Sturdy Rugged Construction

- Will withstand hydraulic shock of sudden closings, piping strains, and temperature variations.
- Valve has only two moving parts, stem and close/thermal trigger.
- A6016 is UL listed for use in LP-Gas as an emergency and operating shut-off valve.
- Stem seals are spring loaded for leak free performance at low temperatures/pressures.

Materials

Body Ductile Iron Cad Plated
 Stem Stainless Steel
 Seat Stainless Steel
 Seat Disc (VA6016/VA6024) High Temperature Viton
 Seat Disc (A6016/A6024) Nitrite
 Springs Stainless Steel
 Gaskets Teflon



Ordering Information

Part Number	Seat	Inlet and Outlet Connections	Liquid Flow Capacity at 10 PSIG Drop (GPM)	Accessories		
				Remote Close Pneumatic	Remote Open/Close Pneumatic	Remote Open/Close Rotary
VA6016	Viton	2" F.NPT	711 (LP-Gas)	6016-60D	6016-60C	6016RA
A6016	Buna-N	2" F.NPT	640 (NH ₃ or LP-Gas)			
VA6024	Viton	3" F.NPT	1325 (LP-Gas)			
A6024	Buna-N	3" F.NPT	1173 (NH ₃ or LP-Gas)			