

Flange Seal Globe and Angle Valves for Bulk Storage Containers, Filling Hoses and Plant Piping 7704, 7705 and 7706 Series

Application

Designed to ensure positive shut-off and long maintenance-free service life in liquid or vapor service. Ideally suited for use on cylinder charging manifolds, truck filling hoses, bulk storage containers and plant piping.

The high quality construction and wide variety of sizes make them highly suited for use with LP-Gas, anhydrous ammonia and in the chemical and petrochemical industries.

Features

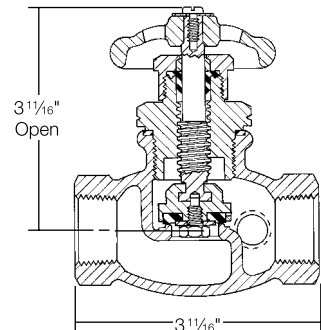
- Available with either a brass bonnet and bronze stem for LP-Gas service or a steel bonnet and stainless steel stem for combined LP-Gas and anhydrous ammonia service.
- Flange seal stem provides for leak-proof operation. No packing to retighten or replace.
- Metal-to-metal back seat permits replacement of the flange ring with the valve in service.
- Plugged 1/4" NPT boss on downstream side of valve accommodates hydrostatic relief valve or vent valve.
- Swivel seat disc minimizes grinding on the body seat and ensures longer service life.
- "Dropped seat" body design of the angle valve provides high flow capacity.

Materials

Body	Ductile Iron
Bonnet (7704, 05, 06).....	Brass
Bonnet (A7704, 05, 06).....	Steel
Stem (7704-05-06).....	Bronze
Stem (A7704-05-06).....	Stainless Steel
Flange Ring	Synthetic Rubber
Seat Disc	Synthetic Rubber



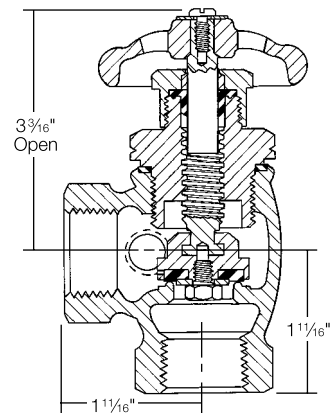
A7704P



**7704 P
A7704 P
7705 P
A7705 P**



7706P



**7704 LP
A7704 LP
7706 P
A7706 P**



Ordering Information

Part Number		Inlet & Outlet Connection (F. NPT)	Flow at 1 PSIG Pressure Drop (Cv) (GPM/Propane)*		Accessories	
Globe	Angle		Globe	Angle	Hydrostatic Relief Valve	Vent Valve
7704P	7704LP	1/2"	7.3	12.3	SS8001J or SS8001L	TSS3169
A7704P	A7704LP					
7705P	7706P	3/4"	11.5	17.7		
A7705P	A7706P					

* To obtain approximate flow at other than 1 PSIG pressure drop, multiply flow in table by square root of pressure drop. Example: A7704LP @ 9 PSIG = 12.3 x $\sqrt{9}$ = 36.9 GPM/propane. For NH₃ flow, multiply propane flow by .90.



DMC Gas Equipment Limited
 (+852) 2851 2121
 dmcsaleshk@dmc-gas.com.hk
 www.dmc-gas.com.hk